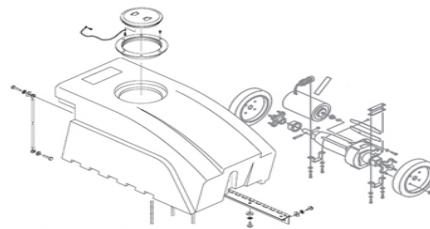


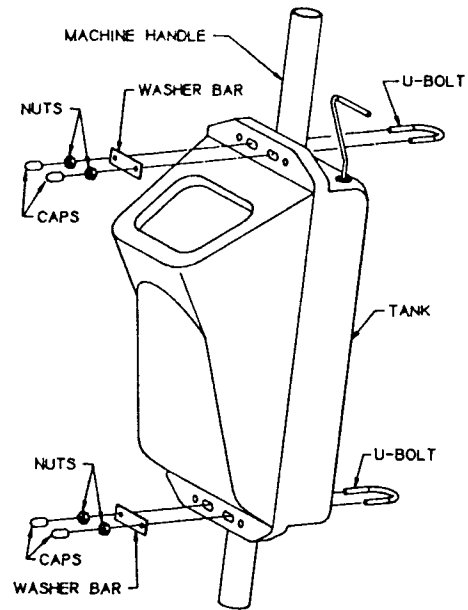
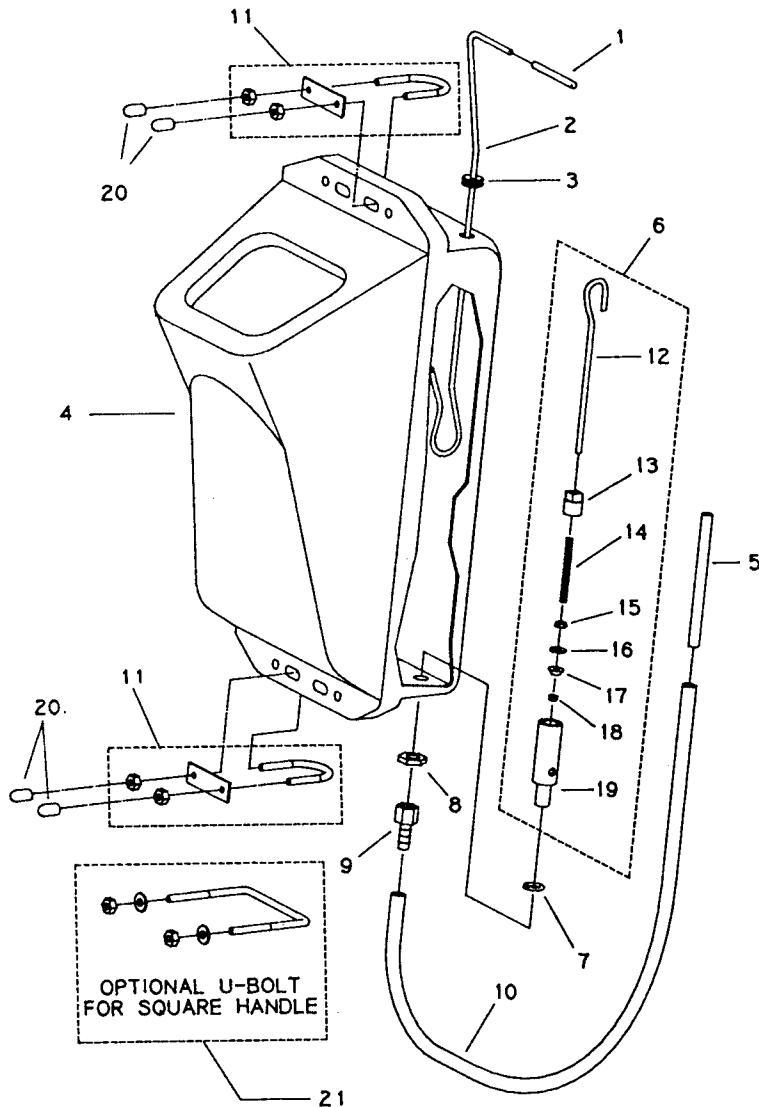
Minuteman®

Solution Tank

Stock No. 190400



FLOOR EQUIPMENT PARTS.COM



NOTE: DO NOT OVERTIGHTEN NUTS

PARTS LIST

Item	Part No.	Qty.	Description
1	190401	1	Handle Grip
2	190402	1	Brass Handle Rod
3	190403	1	Grommet
4	190404	1	Shampoo Tank
5	833547	1	Tube Nylon 3/8 O.D. x 5
6	190405	1	Valve Kit Complete
7	190406	1	Neoprene O-Ring
8	190407	1	1/4 NPT Brass Lock Nut
9	833473	1	3/8 Hose BARB
10	430118	1	Hose
11	190408	2	U-Bolt Assembly Complete
12	190409	1	Plunger Rod
13	190410	1	End Cap
14	190411	1	Compression Spring
15	190412	1	Brass Jam Nut 10-32
16	190413	1	Brass Flat Washer
17	190414	1	Cone Seal
18	190415	1	Flanged Nut 10-32
19	190416	1	Valve Housing
20	190417	4	End Cap
21	190418	2	Square U-Bolt Assy. Complete

Minuteman®

World Headquarters
Minuteman International, Inc.
111 South Rohlwing Road
Addison, Illinois 60101

Minuteman Canada, Inc.
2210 Drew Road
Mississauga, Ontario
L5S 1B1

(630) 627-6900
FAX (630) 627-1130

(905) 673-3222
FAX (905) 673-5161

988350
Printed in U.S.A.